

LubeSite 404

Grease, Pre-filled Polycarbonate Unit

General

LubeSite 404 is a disposable unit and should be specified for applications with minimal vibration, impact, shock, high-torque or centrifugal forces. It has a transparent Lexan® polycarbonate reservoir. It is filled with 4 oz of high-quality, multipurpose, Lithium-based NLGI grade 2 grease. Grease is USDA, class H-2.

LubeSite 404 unit is not refillable. Other greases are available on special order.

Application

LubeSite 404 unit can be used on any equipment that has:

- + Anti-friction oscillating, ball or roller bearings
- + Shielded bearings with seals
- + Bronze, oilite or open bearings
- + Requires bearing flushing action

Operation

LubeSite automatic grease feeders have only two moving parts (spring, piston and piston seal ring). The design combines foolproof simplicity with rugged component strength for dependable, controlled lubrication.

Once the unit is connected to a bearing, the single-point lubricator uses Venturi action to discharge lubricant only when the bearing is in motion. Thus, grease is never packed into the bearing. This benefits manufacturers that will have some planned machine downtime, because over-lubrication is eliminated. Because the single-point lubricator only generates 1-5 psi it will not blow bearing seals. When the bearing stops, so does the grease flow.

Technical Data

Material	Polycarbonate
Grease	NLGI grade 2
Thread Size	See page 4 for available couplers
Operating Temperature	-10°F to 250°F (-23°C to 121°C)



ATTENTION

See Brochure #L713: LubeSite Systems for more information

BIJUR DELIMON INTERNATIONAL

(919) 465 4448 LOCAL
(800) 631 0168 TOLL-FREE
(919) 465 0516 FAX

WWW.BIJURDELIMON.COM

2100 Gateway Centre Blvd., Suite 109
Morrisville, NC 27560

How to Order

Name	Reservoir Capacity	Part #
LubeSite 404	4 oz (113.4 g)	404

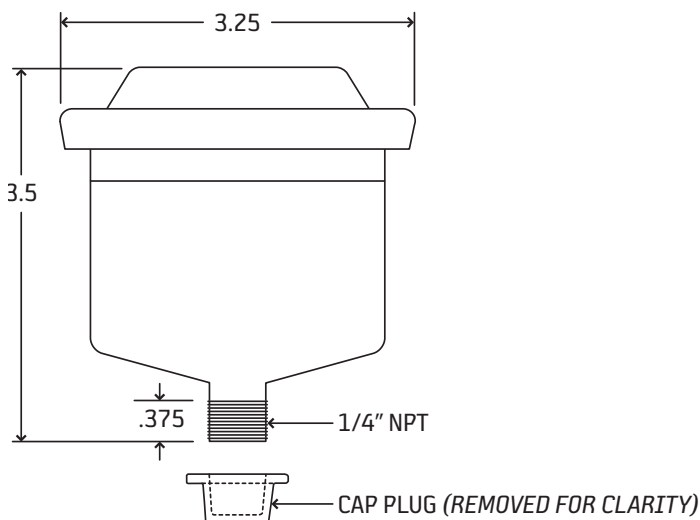
When ordering, specify by name, description and part number, e.g. LubeSite 404, 4 oz Reservoir Capacity, Part #404.

Accessories

Name	Description	Material	Part #
Adapter	Straight, 1/8" NPT (F) x 1/4"-28 (M)	Zinc plated steel	20-1
		Nickel chrome plated	50-1
	Bushing, 1/8" NPT (F) x 1/4" NPT(M)	Zinc plated steel	20-2
		Nickel chrome plated	50-2
	45°, 1/8" NPT (F) x 1/8" NPT(M)	Zinc plated steel	20-3
		Nickel chrome plated	50-3
	45° 1/8" NPT (F) x 1/4"-28 (M)	Zinc plated steel	20-6
		Nickel chrome plated	50-6
	90°, 1/8" NPT (F) x 1/4"-28 (M)	Zinc plated steel	20-4
		Nickel chrome plated	50-4
	90°, 1/8" NPT (F) x 1/8" NPT(M)	Zinc plated steel	20-5
		Nickel chrome plated	50-5
Coupler	Base, 1/4" NPT (F) x 1/8" NPT(M)	Zinc plated steel	202-2
		Nickel chrome plated	502-2
	1/4" NPT (F) x 1/4"-28 (M)	Zinc plated steel	202-2A

For additional accessories, see Brochure #L713: LubeSite Systems.

Dimensional Schematics



Measurements shown in inches.

BIJUR DELIMON INTERNATIONAL

(919) 465 4448 LOCAL
 (800) 631 0168 TOLL-FREE
 (919) 465 0516 FAX

WWW.BIJURDELIMON.COM

2100 Gateway Centre Blvd., Suite 109
 Morrisville, NC 27560